

R7847, R7849, R7851, R7852, R7861, R7886 Amplifiers for 7800 SERIES

INSTALLATION INSTRUCTIONS



APPLICATION

The R7847A,B Rectification Flame Amplifiers are solid state plug-in amplifiers that respond to a rectified signal from a rectification type flame detector to indicate the presence of flame when used with 7800 SERIES Relay Modules.

The R7847C Self-Check Rectification Flame Amplifier is a solid state plug-in amplifier that responds to a rectified signal from a C7012E,F Self-Check Ultraviolet Flame Detector to indicate the presence of flame when used with 7800 SERIES Relay Modules. This is not European Community (CE) approved for EC7810, EC7820, EC/RM7830 or EC/RM7850 Relay Modules.

The R7849A,B Ultraviolet Flame Amplifiers are solid state plug-in amplifiers that respond to an ultraviolet signal from a C7027 or C7035 Ultraviolet Flame Detector to indicate the presence of flame when used with 7800 SERIES Relay Modules.

The R7851A, B Optical Flame Amplifiers are solid state plug-in amplifiers that respond to optical signals from C7927 series solid state UV Flame Detectors to indicate the presence of flame when used with 7800 SERIES Relay Modules.

The R7852A,B Infrared Flame Amplifiers are solid state plug-in amplifiers that respond to an infrared signal from a C7915 Infrared Flame Detector to indicate the presence of flame when used with 7800 SERIES Relay Modules.

The R7851C Dynamic Self-Check Optical Flame Amplifier is a solid state plug-in amplifier that responds to ultraviolet signals from C7961E Dynamic Shutter-Check ultraviolet flame detectors to indicate the presence of flame when used with 7800 SERIES Relay Modules.

The R7861A Self-Check Ultraviolet Flame Amplifier is a solid state plug-in amplifier that responds to an ultraviolet signal from a C7061 Self-Check Ultraviolet Flame Detector to indicate the presence of flame when used with 7800 SERIES Relay Modules.

NOTES:

RM7800 SERIES denoted in this document include 7800 SERIES Relay Modules, RM7824 Relay Module, R7148 Relay Modules and 7823 Flame Switches.

Standard flame amplifiers R7847A, R7849A, R7851A and R7852A enable an automatic full recycle timer when used with the CE approved Relay Modules (EC7820, EC/RM7830, EC/RM7850, EC7890B1028/2028 and RM7890B1055) after 24 hours of continuous heat demand.

For optical flame sensors, flame amplifiers R7849B, R7851B and R7847C are not CE approved when used with CE approved Relay Modules (EC7820, EC/RM7823, EC/RM7830, EC/RM7850, EC7890B1028/2028 and RM7890B1055)

CONTENTS

APPLICATION	1
FEATURES.....	2
SPECIFICATIONS.....	2
INSTALLATION.....	5
CHECKOUT.....	7

The R7886A Dynamic Self-Check Ultraviolet Amplifier is a solid state plug-in amplifier that responds to a pulsed direct current signal from a C7076A, D Ultraviolet Flame Detector with adjustable sensitivity to indicate the presence of flame when used with 7800 SERIES Relay Modules.

FEATURES

- Flame failure response time of 0.8 or 1 second; or 2.0 or 3.0 seconds, depending on the amplifier and relay module selected. See Table 1.
- Plug-in to 7800 SERIES Relay Module through printed circuit board edge connector keyed for proper orientation.
- Flame signal test jacks measure amplifier flame signal voltage.
- 0.0 to 5.0 Vdc Flame signal strength reading range.
- Color coded label identifies flame detection type:
 - Green—rectification. Red/White—infrared.
 - Purple—ultraviolet. Blue—pulsed rectification.
 - White—ultraviolet solid state.
- R7847B, R7849B, R7851B and R7852B Dynamic Ampli-Check[®] circuitry tests all flame amplifier components 12 times per minute. The 7800 SERIES Relay Module locks out on safety shutdown with amplifier failure.
- R7847C Dynamic Self-Check Rectification Amplifier, R7851C Dynamic Self-Check Optical Flame Amplifier, R7861A Self-Check Ultraviolet Flame Amplifier and R7886A Dynamic Self-Check Ultraviolet Amplifier test the detectors and all electronic components in the flame detection system 12 times per minute. The 7800 SERIES Relay Module locks out on safety shutdown with flame detection system failure.

NOTE: R7847C Series 4 or greater, pulse the shutter when signal of 1.5 Vac is sensed. Display readings of 0.7 to 2.4 Vdc are common.

SPECIFICATIONS

Models:

Flame Detection Systems (see Table 2):

Rectification:

R7847A,B for use with flame rods or C7012A,C Solid State Ultraviolet Detectors.

R7847C for use with C7012E, F Solid State Ultraviolet Detectors.

Infrared:

R7852A,B for use with C7915 Infrared (lead sulfide) Detector.

Ultraviolet:

R7849A,B for use with C7027/C7035 Minipeeper Ultraviolet Detectors.

R7861A for use with C7061A Ultraviolet Detector.

R7886A for use with C7076A,D Ultraviolet Detectors with adjustable sensitivity.

Optical:

R7851A, B for use with C7927 Flame Detectors. R7851C for use with C7961E, F Flame Detectors.

NOTE: R7847C Series 4 or greater, pulse the shutter when signal of 1.5 Vac is sensed. Display readings of 0.7 to 2.4 Vdc are common.

Flame Failure Response Time:

See Table 1.

Flame Signal (Volts dc):

Minimum Acceptable: 1.25 Vdc.

Flame Signal Voltage Range (displayed on Keyboard Display Module or measured with a 1M ohm/volt meter plugged into amplifier test jacks): 0.0 to 5.0 Vdc.

Environmental Ratings:

Ambient Temperature:

Operating: -40°F to 140°F (-40°C to 60°C).

Storage: -40°F to 150°F (-40°C to 65°C).

Humidity: Operating 85% rh continuous, noncondensing.

Vibration: Continuous 0.5G environment.

Weight:

2.5 oz (71g), unpacked.

Dimensions:

See Fig. 1.

SIL 3 Capable:

Exida: IEC/EN 61508:2010 Parts 1-7

The Amplifiers and appropriate Flame Detectors listed in Table 2, used in Appropriate Relay Module or 7823 Flame Switch is SIL 3 Capable in a properly designed Safety Instrumented System. See form number 65-0312 for Certificate Agreement for 7800 Series Relay Modules, or 32-00253 for Certificate Agreement for 7823 Flame Switches.

Approvals:

UL60730-2-5 and EN298:2012

Underwriters Laboratories Inc. Listed: File no. MP268, Guide no. MCCZZ: R7847A, R7847B, R7847C, R7861A, R7886A, R7848A, R7848B, R7849A, R7849B, R7851B, R7851C, R7852A, R7852B.

Underwriters Laboratories Inc. Component Recognized: File no. MP268, Guide no. MCCZZ: R7824C.

Factory Mutual Approved: Report 1V9A0.AF. (R7851B, R7851C, R7847C, R7861A.)

AGA Certificate # 5097: R7847A1025, R7847A1033, R7847A1041, R7847A1074, R7847A1082, R7847B1023, R7847B1031, R7847B1064, R7847B1072, R7849A1015, R7849A1023, R7849A1031, R7849A1064, R7849A1080, R7849A1098, R7861A1026, R7861A1034, R7886A1001.

EAC: TC N RU д-US.Аи30.В.04023

CE Approved: For use with EC7820, EC7830, RM7830, EC7850, RM7850, EC7890B1028, EC7890B2028, RM7890A1064, RM7890A2064, RM7890B1055, RM7890B2055 Relay Modules and for use with EC7823, RM7823 Flame Switches.

Gas Appliances Regulation: 2016/426/EU GAR.

Low Voltage Directive: 2014/35/EU LVD.

EMC Directive: 2014/30/EU EMC (Immunity Emission conformity can only be verified in combination with the appliance).

GASTEC: certificate # 18GR0996/00, PIN 0063CT1466

Applicable Standards:

- EN 298:2012 Automatic burner controls
- EN 60335-2-102 Household and similar electrical appliances
- EN 746-2 Industrial thermo processing - fuel handling systems.

Table 1. Relay Module Flame Failure Response Time (FFRT).

Relay Module	Flame Failure Response Time (FFRT) in seconds	
	0.8 or 1	2.0 or 3.0
EC7820, EC/RM7830, EC/RM7850, EC7890B1028/2028, RM7890A1064/2064, RM7890B1055/2055, EC/RM7823	1.0	2.0
EC/RM7895, EC7890A1011, EC7890B1010, EC7895A1010, RM7800, RM7838, RM7840, RM7885, RM7888, RM7890, RM7896, RM7897, RM7898	0.8	3.0
RM7824 ^a	N/A	3.0

^a RM7824 only works with low voltage Flame Amplifier models R7851A,B and R7852A,B.

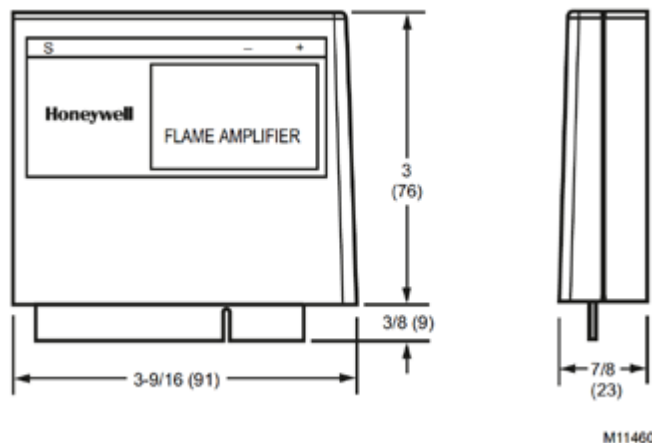


Fig. 1. Flame amplifier dimensions in in (mm).

Accessories:

Flame Simulators:

- Rectification: 123514A.
- Ultraviolet: 203659.

Flame Detectors (ordered separately): select from Table 2.

Table 2. Flame Detection Systems.

Type	Color	Self-Checking	Operation	Model	Flame Failure Response Time - FFRT (sec) ^a	Fuel	Type	Honeywell Recommended Models	Certification		
									UL 60730	EN 298	SIL3
Retrification	Green	No	non-permanent ^j	R7847A ^g	0.8/1 or 2/3	Gas	Rectification	C7012A/C/G, etc	Y	Y	N
		No	non-permanent ^j	R7847A ^g	2/3	Gas, oil, coal	Ultraviolet (DAG tube) Purple Peeper [®]	C7012A/C/G, etc	Y	Y	N
		Dynamic Ampli Check [®]	permanent	R7847B ^{d,g}	0.8/1 or 2/3	Gas	Rectification	C7008, C7009	Y	Y	Y
		Dynamic Ampli Check [®]	non-permanent ^j	R7847B ^d	2/3	Gas, oil, coal	Ultraviolet (DAG tube) Purple Peeper [®]	C7012A/C/G, etc	Y	N	N
		Dynamic Self Check	permanent	R7847C ^{b,c,h}	3	Gas, oil, coal	Ultraviolet (DAG tube) Purple Peeper [®]	C7012E,F	Y	N	Y
Infrared	Red/White	No	non-permanent ^j	R7852A	2/3	Gas, oil, coal	Infrared (Lead Sulfide) 2nd generation	C7915	Y	Y	N
		Dynamic Ampli Check [®]	permanent	R7852B ^b	2/3	Gas, oil, coal	Infrared (Lead Sulfide) 2nd generation	C7915	Y	Y	Y
Ultraviolet	Purple	No	non-permanent ^j	R7849A	0.8/1 or 2/3	Gas, oil	Ultraviolet (Powertube) Minipeeper	C7027, C7035	Y	Y	N
		Dynamic Ampli Check [®]	non-permanent ^j	R7849B ^d	0.8/1 or 2/3	Gas, oil	Ultraviolet (Powertube) Minipeeper	C7027, C7035	Y	N	N
		Dynamic Self Check	permanent	R7861A ^{c,e}	0.8/1 or 2/3	Gas, oil, coal	Ultraviolet (Powertube) Purple Peeper [®]	C7061	Y	Y	Y
	Blue	Dynamic Self Check	permanent	R7886A ^{c,e}	2/3	Gas, oil, coal	Ultraviolet (Copper Cathode) Adjustable Sensitivity)	C7076	Y	Y	Y
Optical	White	No	non-permanent ^j	R7851A	0.8/1 or 2/3	Gas, oil, coal	Ultraviolet (solid state)	C7927	N	Y	N
		Dynamic Ampli Check [®]	non-permanent ^j	R7851B	0.8/1 or 2/3	Gas, oil, coal	Ultraviolet (solid state)	C7927	Y	N	N
		Dynamic Self Check	permanent	R7851C ^c	2/3	Gas, oil, coal	Ultraviolet (solid state)	C7961	Y	Y	Y

^a Flame Failure Response Time (FFRT) depends on selection of amplifier and 7800 SERIES Relay Module.

^b R7847C with C7012E, F Flame detectors are not CE approved for use with CE approved Relay Modules EC7820, EC/RM7830, EC/RM7850, EC7890B1028/2028, RM7890A1064/2064, RM7890B105, RM7890B1055/2055 and Flame Switches EC/RM7823.

^c Circuitry tests all electronic components in flame detection system (amplifier and detector) 12 times a minute during burner operation and shuts down burner if detection system fails.

^d Circuitry tests flame signal amplifier 12 times a minute during burner operation and shuts down burner if amplifier fails.

^e 200/220/240 Vac applications require a 120 Vac, 10 VA minimum stepdown transformer (not provided) to drive the shutter. Applies to R7886A series 2 or greater; R7861A series 1 or greater. Fig. 3 shows flame detector wiring.

^f Use C7027 and C7035 Flame Detectors only on burners that cycle on-off at least once every twenty-four hours. Use C7061A Ultraviolet Detector with R7861A Amplifier or C7076A Flame Detector with R7886A Amplifier as ultraviolet flame detection system for appliances with burners that remain on continuously for twenty-four hours or longer. CE approved Relay Modules with R7847A, R7849A, R7851A, R7852A Flame Amplifiers perform a full automatic recycle after 24 hours of continuous heat demand.

^g R7847A,B Amplifiers with 0.8/1 second FFRT should NOT be used with C7012A,C Solid State Ultraviolet Detectors.

^h R7847C Series 4 or greater, check flame detector system when flame reaches 1.5 Vdc or at 4.5 seconds, whichever occurs first.

NOTE: R7847C Series 4 or greater, pulse the shutter when signal of 1.5 Vdc is sensed. Display readings of 0.7 to 2.4 Vdc are common.

ⁱ Order flame rod separately; see flame detector Instructions for holder.

^j Non-permanent operation: At least one controlled shutdown of the 7800 SERIES Relay Module, R7140 Relay Module, RM7824 Relay Module or 7823 Flame Switch must take place in less than every 24 hours for safety reasons. CE approved Relay Modules with R7847A, R7849A, R7851A, R7852A Flame Amplifiers perform a full automatic recycle after 24 hours of continuous heat demand.



CAUTION

Equipment Damage Hazard.

Incorrect combination of relay module, amplifier and flame detector can cause equipment damage.

In infrared applications (C7015 Infrared Flame Detector and R7848 Amplifier) using the RM7890 Relay Module with software version 4004 or less requires a ten-second delay to start sequence. This applies only to the initial power of the RM7890.

INSTALLATION

When Installing this Product...

1. Read these instructions carefully. Failure to follow them could damage the product or cause a hazardous condition.
2. Check the ratings given in the instructions and on the product to make sure the product is suitable for your application.
3. Installer must be a trained, experienced, flame safeguard control technician.
4. After installation is complete, check out the product operation as provided in these instructions.



WARNING

Electric Shock Hazard.

Can cause electrical shock, serious injury or death.

Disconnect the power supply before beginning installation. More than one power supply disconnection can be involved.

IMPORTANT INSTALLATION NOTE

1. *To properly shield the 7800 SERIES Relay Module and the mating R7852 flame amplifier from any outside noise, both must be mounted in an enclosed metal panel or cabinet, properly referenced to earth ground. All wire leads to the panel / cabinet must be installed in metal conduit(s). C7915 viewing head wiring must be separated from other wiring and must use separate conduit. All conduits must be conductively connected to the panel / cabinet. If these are not installed per this specification, a false positive flame on from the viewing head is possible.*
2. *Wiring must comply with all applicable codes, ordinances and regulations*
3. *Wiring (where required) must comply with NEC Class 1 (Line Voltage) wiring.*
4. *Perform all required checkout tests after installation is complete.*



CAUTION

Equipment Damage Hazard.

Can cause equipment damage.

Disconnect 7800 SERIES Relay Module power before removing amplifier.

Installing Plug-In Flame Signal Amplifier (Fig. 2)



WARNING

Electric Shock Hazard.

Can cause severe injury, death or property damage.

Disconnect the power supply before beginning installation. More than one power supply disconnection can be involved.

1. Align the amplifier circuit board edge connector with the keyed receptacle on the 7800 SERIES Relay Module. Be sure the amplifier nameplate faces away from the Relay Module.
2. Push in the amplifier until the circuit board is fully inserted into the receptacle and then push the amplifier toward the 7800 SERIES Relay Module retaining clasp.
3. Be sure the amplifier is firmly in place.
4. Perform all required checkout tests.

Installing Flame Detector

NOTE: Table 2 lists flame detection systems available for use with 7800 SERIES Relay Modules. Be sure to use the correct combination of amplifier and flame detector.

Proper flame detector installation is the basis of a safe and reliable flame safeguard installation. Refer to the Instructions packed with the flame detector and the equipment manufacturer instructions.

Keep the flame signal leadwires as short as possible from the flame detector to the wiring subbase. Capacitance increases with leadwire length, reducing the signal strength. The maximum permissible leadwire length depends on the type of flame detector, leadwire and conduit. However, the ultimate limiting factor for the flame detector leadwire is the flame signal; see Table 3 in the Checkout section.



Fig. 2. Installing flame signal amplifier.

Wiring

WARNING

Electrical Shock Hazard.

Can cause severe injury, death or property damage.

Disconnect power supply before beginning installation.

More than one disconnection can be involved.

- Remove the 7800 SERIES Relay Module from the wiring subbase.
- Refer to Fig. 3 for proper flame detector wiring.

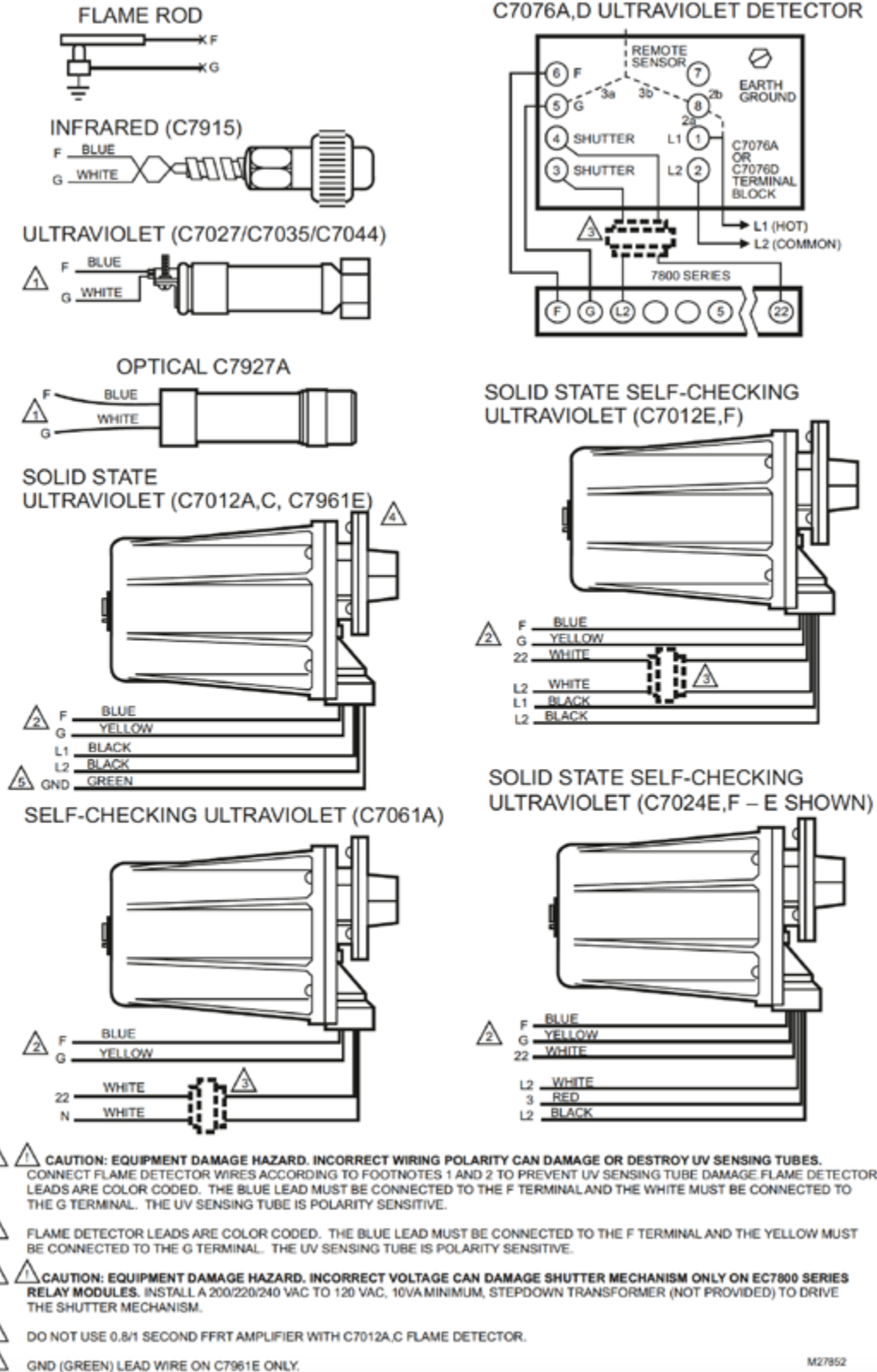


Fig. 3. Flame detector wiring.

7. Disconnect power supply before making wiring connections to prevent electrical shock and equipment damage.
8. All wiring must comply with appropriate electrical codes, ordinances and regulations including NEC Class 1 (Line Voltage) wiring where required.
9. Use recommended wire size and type no. 18 copper conductors TTW(60C) or THW (75C) or THNN(90C).
10. Use recommended wire routing:
 - a. Keep the flame signal leadwire as short as possible from the detector to the 7800 SERIES Relay Module. The maximum permissible leadwire length depends on the type of leadwire, conduit type and leadwire diameter. The ultimate limiting factor for flame signal leadwire length is the flame signal voltage.
 - b. Do not run high voltage ignition transformer wires in the same conduit with the flame detection wiring.
 - c. If the flame detector leadwires are not long enough to reach the 7800 SERIES Relay Module electrical connectors, make splices in a junction box.
 - (1) Enclose scanner wiring without armor cable in metal cable or conduit.
 - (2) Follow flame detector Instructions.
11. Check wiring, see Fig. 3.
12. Install 7800 SERIES Relay Module.
13. Restore power to the 7800 SERIES Relay Module.

Flame detector wiring is shown in Fig. 3.

CHECKOUT

Preliminary Inspection

Make certain that:

1. Wiring connections are correct and all terminal screws and electrical connections are tight.
2. Proper flame failure response time is selected.
3. Amplifier is securely mounted on the 7800 SERIES Relay Module.
4. Detectors are properly positioned and cleaned according to Detector Instructions.
5. Correct combination of amplifier and flame detector is used.

Flame Signal Measurement (Fig. 4)

Flame signal can be measured at the Flame Signal Test Jacks, see Fig. 4, and at the Keyboard Display Module. Measure the flame signal at the appropriate times defined in the Checkout section; see applicable 7800 SERIES Relay Module Instructions. See Table 3 for acceptable and maximum flame signal voltage strengths.



CAUTION

Equipment Damage Hazard.

Improper wiring can destroy ultraviolet sensing tube. Carefully follow polarity sensitive wiring instructions for the C7027, C7035, C7012, C7061, C7961 and C7076. Reversing the leadwires, even momentarily, can destroy the ultraviolet sensing tube.

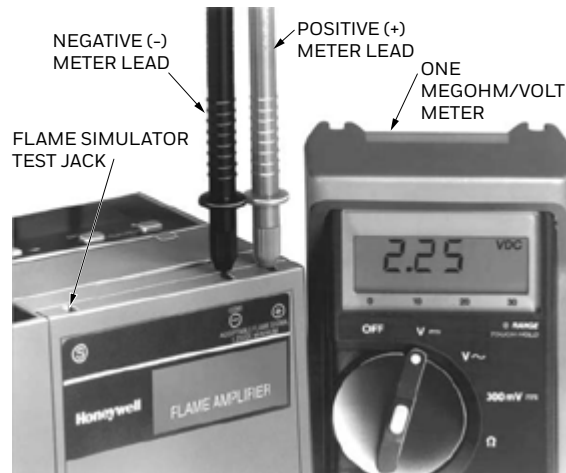


Fig. 4. Flame signal measurement with meter.

1. Connect blue leadwire from detector to terminal F and white leadwire from C7027/C7035/C7061 to terminal G.
2. Connect blue leadwire from detector to terminal F and yellow leadwire from C7012/C7961 to terminal G.
3. Follow lightoff Instructions for applicable 7800 SERIES Relay Module.

Measuring Flame Signal With Keyboard Display Module

Consult Instructions for applicable 7800 SERIES Relay Module or Keyboard Display Module.

Measuring Flame Signal with a Volt Ohmmeter

Two test jacks, positive and negative (Com) are accessible on the top of the amplifier when plugged into the 7800 SERIES Relay Module. These jacks are provided for monitoring flame signal strength. Use a one megohm/volt meter to measure the flame signal strength. Connect the positive meter lead (red) to the positive (+) amplifier test jack and the negative meter lead (black) to the negative (-) amplifier test jack. The test jacks use standard 0.180 inch diameter voltmeter probes. A minimum 1.25 Vdc flame signal is required.

NOTE: The probes need to tip toward the relay module in order to make electrical contact.

Table 3. Flame signal.

Flame Detector	Flame Signal Amplifier	Minimum Acceptable Steady dc Voltage ^a	Maximum Expected dc Voltage
Flame Rod C7012A,C ^c	R7847A,B ^b	1.25 Vdc	5.0 Vdc at Keyboard Display Module or on volt-ohmmeter.
C7027A C7035A C7044A	R7849A,B ^b		
C7927	R7851A, B ^b		
C7915	R7852A,B ^b		
C7061A	R7861A ^d		
C7076A,D	R7886A ^d		
C7961E, F	R7851C ^d		

a This minimum or stronger signal can be easily obtained if the detector is correctly installed and positioned to properly sense the flame. Obtain this voltage before completing checkout.

b The flame amplifiers are Ampli-Check® type.

c Adjust slightly, or face the pipe down, or extend the sight pipe on C7012A,C applications to obtain a maximum flame signal reading less than 5.0 volts.

d The flame signal amplifier circuitry is tested one-half second every five seconds during burner operation and shuts down the burner if the amplifier fails (all installations).

e R7847C Series 4 or greater, pulse the shutter when the flame signal reaches 1.5 Vdc.

The flame signal for the pilot alone, the main burner flame alone, and both together must be steady and a minimum of 1.25V. If the flame signal is unsteady, or less than the minimum acceptable voltage, check the flame detector installation and circuitry in the following procedure.

1. Check the supply voltages at terminals (L1) and L2 (N). Make sure the master switch is closed, connections are correct, and the power supply is of the correct voltage and frequency and is sinusoidal.
2. Check the detector wiring for defects including:
 - a. Incorrect connections.
 - b. Wrong type of wire.
 - c. Deteriorated wire.
 - d. Open circuits.
 - e. Short circuits.
 - f. Leakage paths caused by moisture, soot or accumulated dirt.
3. For a flame rod, make sure:
 - a. There is enough ground area.

b. The flame rod is properly located in the flame.

c. Temperature at the flame rod insulator is no greater than 500°F (260°C).

4. For all optical detectors, clean the detector viewing window, lens, and inside of the sight pipe as applicable.
5. With the burner running, check the temperature at the detector. If it exceeds the detector maximum rated temperature:
 - a. Add a heat block to stop conducted heat traveling up the sight pipe.
 - b. Add a shield or screen to reflect radiated heat.
 - c. Add cooling (refer to sight pipe ventilation in the detector Instructions).
6. Make sure that the flame adjustment is not too lean.
7. Make sure the optical detector is properly sighting the flame.
8. If necessary, resight or reposition the detector.
9. If you cannot obtain proper operation, replace the plug-in amplifier.
10. If you cannot yet obtain proper operation, replace the flame detector.

IMPORTANT

If you make any changes to the flame detection system, repeat all required Checkout tests in Checkout section of the Instructions for the applicable 7800 SERIES Relay Module.

For More Information

The Honeywell Thermal Solutions family of products includes Honeywell Combustion Safety, Eclipse, Exothermics, Hauck, Kromschröder and Maxon. To learn more about our products, visit ThermalSolutions.honeywell.com or contact your Honeywell Sales Engineer.

Honeywell Process Solutions

Honeywell Thermal Solutions (HTS)
1250 West Sam Houston Parkway
South Houston, TX 77042

ThermalSolutions.honeywell.com

® U.S. Registered Trademark
© 2020 Honeywell International Inc.
32-00235-05 Edition 02.20
Printed in United States

Honeywell